

七：故障排除 Troubleshooting

※：用户在操作过程中如果机器发生故障，自行无法排除时，请及时与经销商或产品售后部门联系，切勿擅自拆卸。

During operation, if the machine fails and cannot be solved by the user, please contact the dealer or product after-sales department in time. Do not disassemble it without authorization.

序号 No.	故障现象 The fault phenomenon	原因 Cause	处理方法 Treatment method
1	断线 Thread breakage	面线未穿正确 The needle thread is not passed through correctly	正确穿好面线 Thread the needle correctly
		面线张力过大 The needle thread tension is too large	调整张力 Adjust the tension of the needle thread
		线有打结现象 The thread is knotted	去除打结部分或更换线 Remove the knotted part or replace the thread
		针线配合不当 Improper matching of the needle and thread	使用合适的针线 Use appropriate needle and thread
		内旋梭划伤过线受卡 Internal rotary shuttle is scratched and thread stuck	更换或向经销商咨询 Replace it or consult the dealer
		机针安装不正确 Incorrect needle installation	正确安装机针 Install the needle correctly
2	绞线 Stranded thread	面线路径不正确 The needle thread is not passed through correctly	正确穿好面线 Thread the needle correctly
		面线张力太小 The needle thread tension is too small	调整面线张力 Adjust the needle thread tension
3	跳线 Skip stitch	机针型号不匹配 Needle model is not matching	使用合适的机针 Use the appropriate needle
		机针弯曲 Needle bending	更换 Replace the needle
		机针安装不正确 Incorrect needle installation	正确安装机针 Install the needle correctly
		针线配合不当 Improper matching of the needle and thread	更换合适的针线 Use appropriate needle and thread
		面线张力太大 The needle thread tension is too large	调整张力 Adjust the tension of the needle thread
4	不送料 Don't feed	缝纫针距设置为0 The sewing needle is set to 0	设置合适的针距长度 Set the appropriate length of the needle
		送料牙过低 The feed tooth is too low	提升送料牙高度 Elevating feed teeth height
		面料下线打结 The fabric is knotted at the bottom	清结机器 Place the machine
5	绣花不正 确有错位 走样现象 Incorrect embroidery, dislocation and aliasing	花框未夹紧布料 Hoop is not clamping the cloth	正确夹好布料 Clamp the cloth correctly
		布料下未加衬纸 There is no lining paper under the cloth	绣花时务必加衬纸 Add lining paper when embroidery
		布料过重或拉扯，导致绣花臂移动受阻 Overweight or pulling of cloth stops the movement of embroidery frame	用物体将布料垫高到与绣花臂水平高度 Use objects to cushion the cloth to match the height of the embroidery frame
		绣花臂工作时碰到周围物体 Embroidery frame hits the objects around the machine	不要在绣花臂移动范围内放置任何物体 Keep no obstacles around where the embroidery frame moves
		线头缠绕压脚 Thread end wraps the presser foot	绣花过程中注意及时剪短多余线头 In the process of embroidery, pay attention to cutting excessive thread end in time

大彩屏家用电脑缝纫机、绣花机 快速操作指南

Home computer sewing machine.embroidery machine

QUICK OPERATION GUIDE

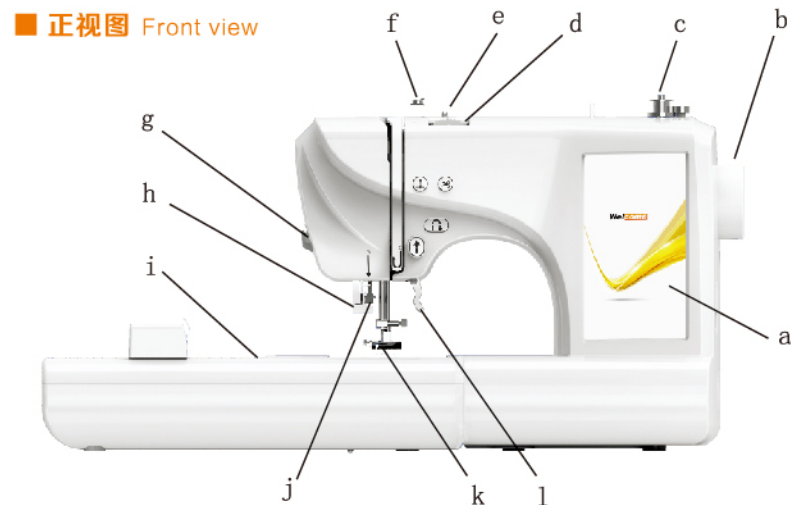


快速操作指南目录

QUICK ACTION GUIDE DIRECTORY CATALOG

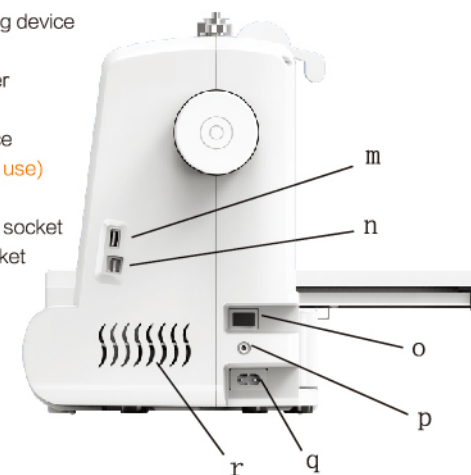
一：功能简介	Function introduction	01
二：面线穿线	Threading the needle	03
三：梭芯绕线与安装	Bobbin winding and installation	04
四：缝纫	Sewing	06
五：绣花	Embroidery	14
六：Usb输入	USB input	20
七：故障排除	Troubleshooting	22

一：功能简介 Function introduction



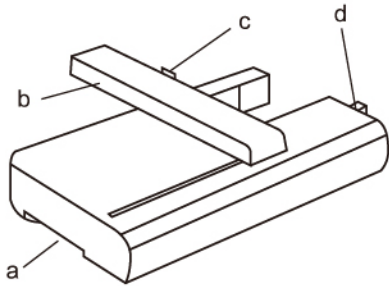
- | | |
|--------------------|--|
| a、液晶显示屏 | a、Liquid crystal display screen |
| b、手轮 | b、The handwheel |
| c、梭芯绕线器 | c、Bobbin winder |
| d、面线张力调节钮 | d、Upper line tension adjustment button Embroidery unit |
| e、过线钩 | e、Wire hook |
| f、绕线张力导向盘 | f、Winding tension guide plate |
| g、割线刀 | g、Cutter |
| h、锁扣眼拉杆 | h、Lock rod |
| i、绣花单元 | i、Embroidery unit |
| j、快速穿线器 | j、Quick threading device |
| k、压脚 | k、Presser foot |
| l、压脚抬升杆 | l、Foot lifting lever |
| m、Usb接口 | m、Usb interface |
| n、调试接口
(用户请勿使用) | n、Debug interface
(please do not use) |
| o、电源开关 | o、power switch |
| p、脚踏控制器插口 | p、Foot controller socket |
| q、电源线插口 | q、power line socket |
| r、通风口 | r、Vents |

■ 侧视图 Side view



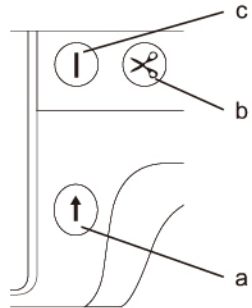
二：面线穿线 Threading the needle

■ 绣花单元 Embroidery unit



- a. 绣花单元释放拉手
b. 导轨
c. 绣花框连接卡槽
d. 绣花单元连接插口
- a. Embroidery unit release handle
b. Guide rail
c. Embroidery frame connecting groove
d. Embroidery unit connecting socket

■ 操作按键 Operation buttons



- a. 启动/停止键
b. 剪线键
c. 点动键（针上、下）
- a. Start/stop key
b. Cutting key
c. Pointing key(needle position up/down)

■ 附属品 Accessories



绣花压脚
Embroidery presser foot

线帽大、小号
Thread cover, big and small

U盘
U disk

割刀
Cutting knife

螺丝刀
Bolt driver

机针
Needle

梭芯
The bobbin



扳手
Wrench

镊子
Tweezers

触控笔
Stylus

剪刀
Scissors

花绷100X235
Hoop100x235

花绷100X100
Hoop100 x 100



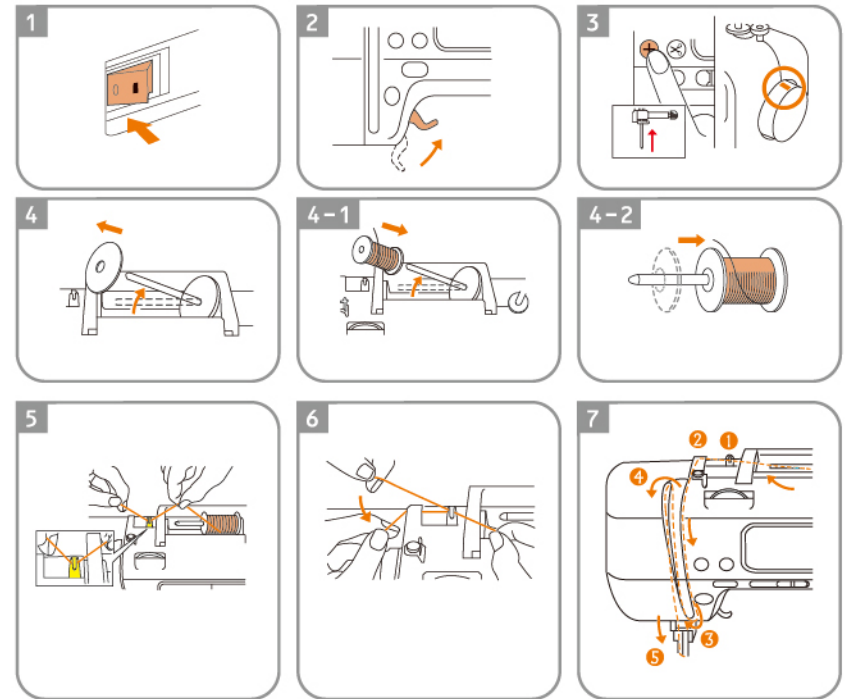
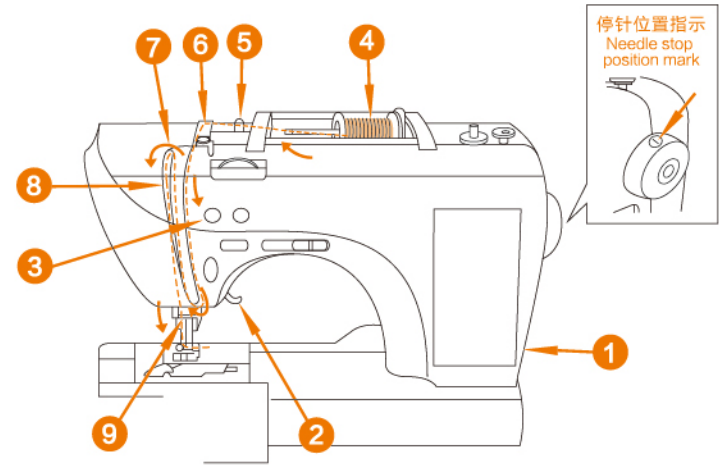
锁扣眼压脚
Locking intraocular pressure foot
(单绣没有)

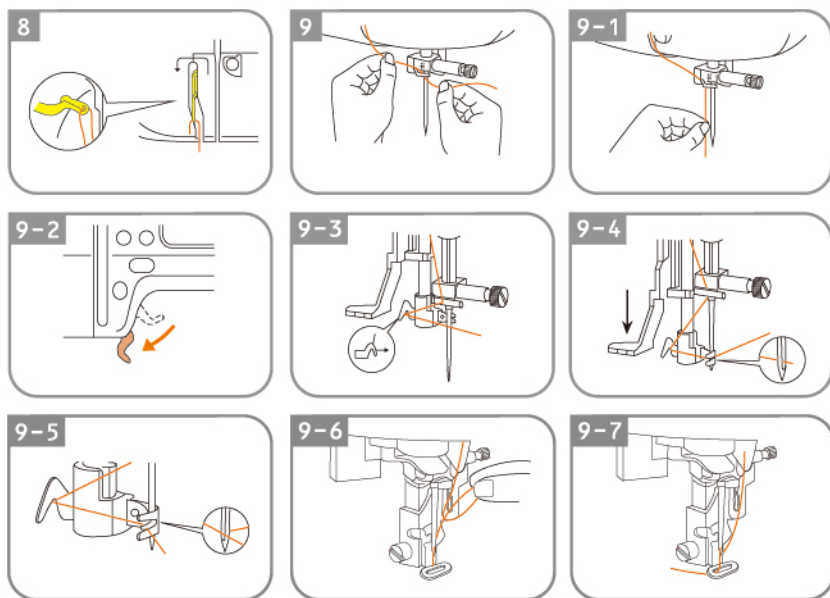
拉链压脚
Zipper presser foot
(单绣没有)

纽扣压脚
Button presser foot
(单绣没有)

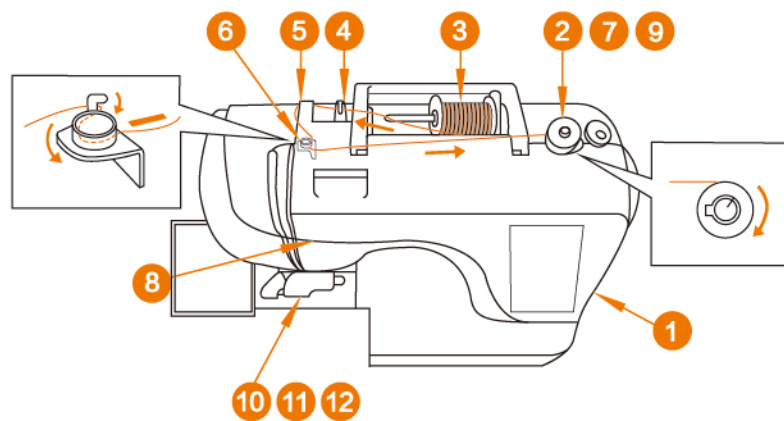
锁边压脚
Locking presser foot
(单绣没有)

(No for single embroidery) (No for single embroidery) (No for single embroidery) (No for single embroidery)



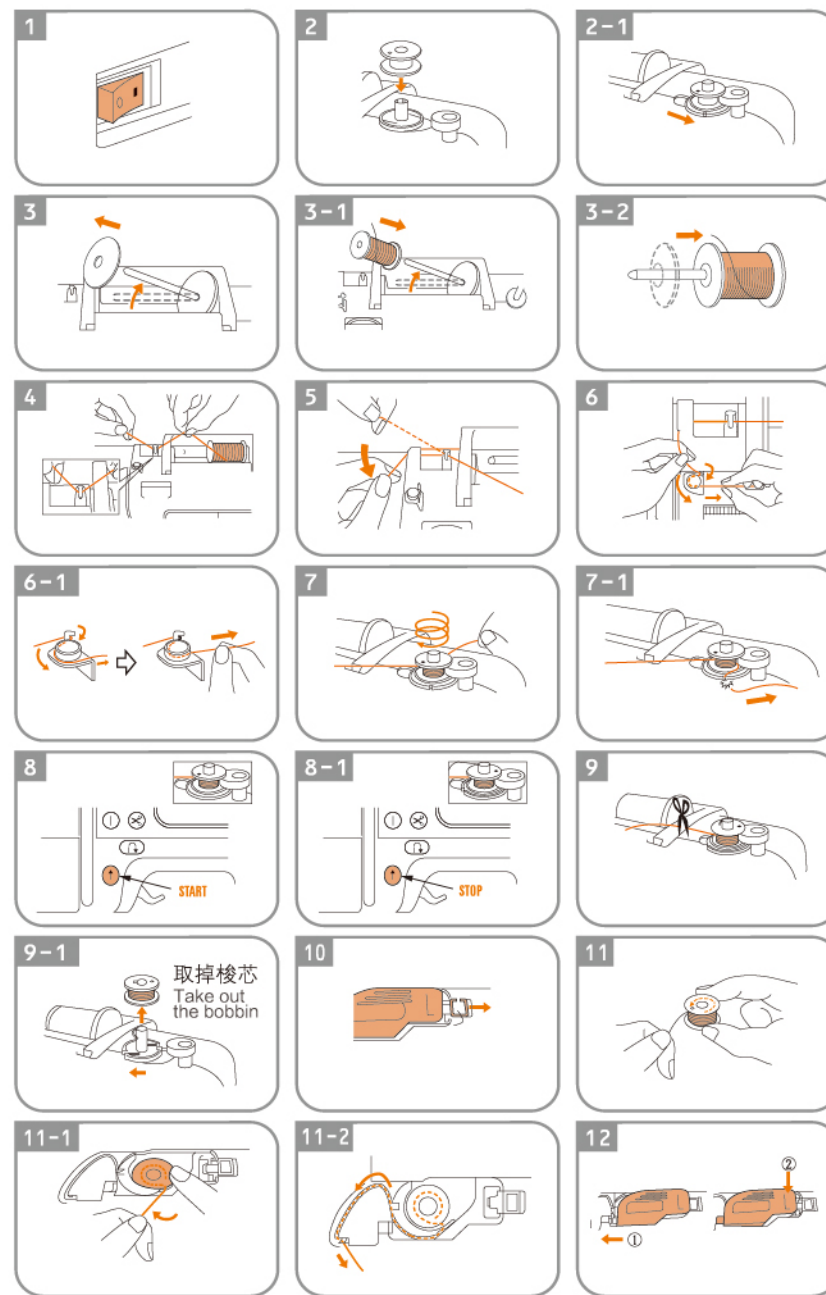
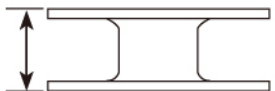


三：梭芯绕线与安装 Bobbin Winding and Installation



▲：请使用随机配备的梭芯或其它相同尺寸的梭芯。
Please use accessory bobbin or other bobbin with same size.

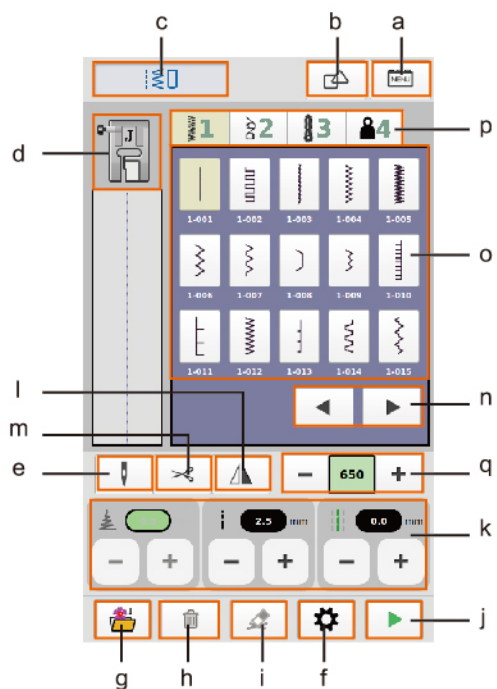
11.5毫米 (7/16英寸)
11.5mm(7/16inch)



四：缝纫 Sewing (单绣没有No for single embroidery)

1. 缝纫功能界面

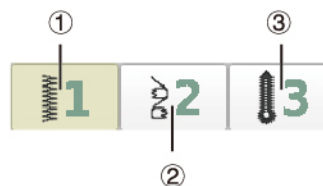
Sewing functional interface



- | | |
|--------------------|--|
| a . 设置键 | a . Setting Key |
| b . 组合键 | b . Combination Key |
| c . 缝纫功能图标 | c . Sewing function icon |
| d . 压脚类别显示 | d . Presser foot type display |
| e . 单双针切换键 | e . Single or double needle switch |
| f . 缝纫参数设置 | f . Sewing parameter setting |
| g . 存储键 | g . Storage key |
| h . 删除键 | h . Delete key |
| i . 擦除键 | i . Erase key |
| j . 启动/停止键 | j . Start/stop key |
| k . 针迹宽度、长度和调整针位设置 | k . Needle width,length and adjustment needle position setting |
| l . 左右镜像键 | l . Left and right mirror keys |
| m . 剪线键 | m . Trimming Key |
| n . 上、下翻页键 | n . Top, bottom turn key |
| o . 针迹选择 | o . Stitch selection |
| p . 针迹类别选择键 | p . Stitch type selection key |

2. 针迹类别

Stitch categories

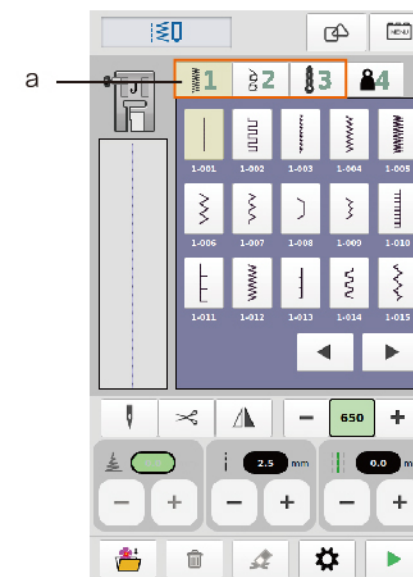


- ① 顺缝、倒缝针迹
- ② 顺缝针迹
- ③ 锁扣眼针迹

- ① Straight seam stitches, Reverse seam stitches
- ② Straight seam stitches
- ③ Button hole stitches

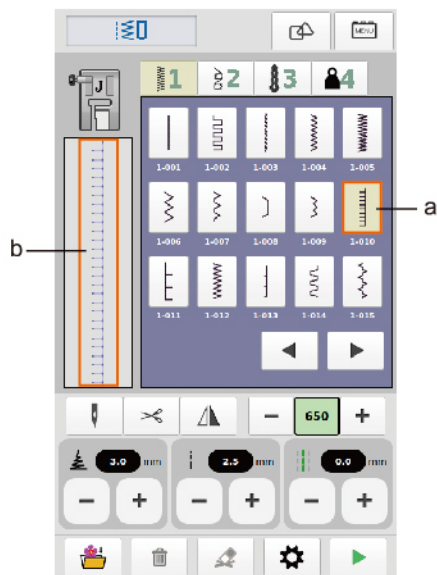
3. 选择针迹 Select stitch

- ① 打开电源进入缝纫功能界面。
Open the power to the sewing interface
 - ② 点击针迹类别选择需要的针迹类别。
Click the stitch type to select the required stitches
- a. 点击1/2/3选择需要的针迹类别
Click 1/2/3 to select the type of stitch required



- ③ 选择好针迹类别后点击需要缝制的针迹。
Click the stitch after selecting the stitch category

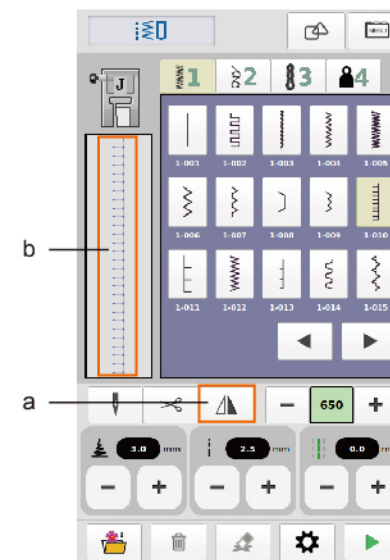
- a. 点击选择需要缝制的针迹
Click select stitches that need to be sewn
- b. 显示已选针迹
Shows the selected stitch



5. 针迹镜像 Stitch mirror

- ① 用户选择好针迹后，点击屏幕中的镜像键，针迹的左右方向自动翻转。

- a. 镜像键
b. 左镜像针迹
c. 右镜像针迹

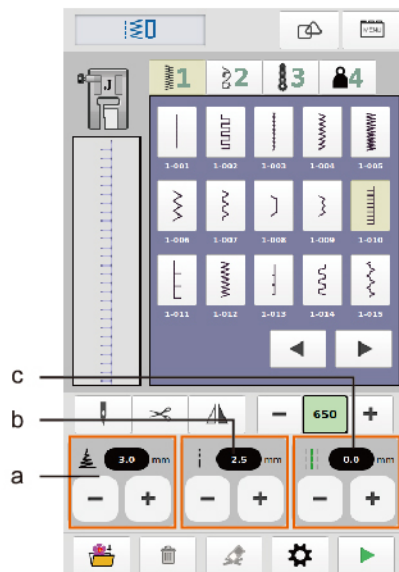


4. 针迹宽度、长度和针位调整设置 Needle width, length and adjustment needle position setting

- ① 选定针迹后，用户根据需要在屏幕下方的-、+设置针迹宽度、长度和针位调整

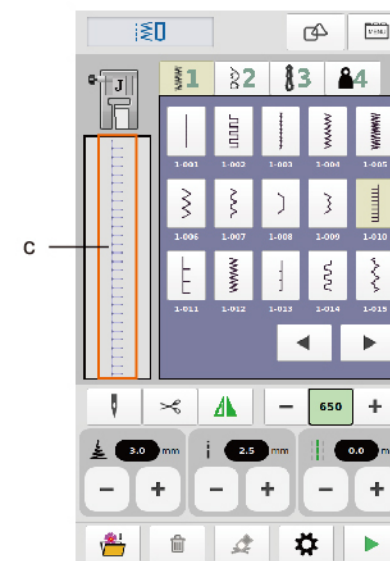
After selecting the needle the user can click the screen as needed below -、+ set stitch width, length and adjustment needle position

- a. 针迹宽度设置
Stitch width setting
- b. 针迹长度设置
Stitch length setting
- c. 针位调整设置
Adjustment needle position setting



- ① After the user selects the needle trace, click the mirror key in the screen and automatically flip the left and right direction of the needle

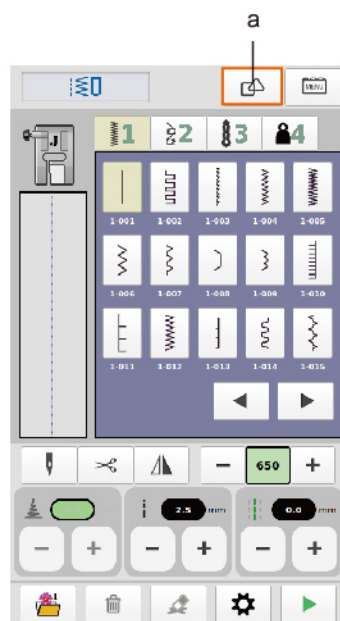
- a. Mirror keys
b. Left mirror stitch
c. Right mirror stitch



6. 针迹组合 Stitch combo

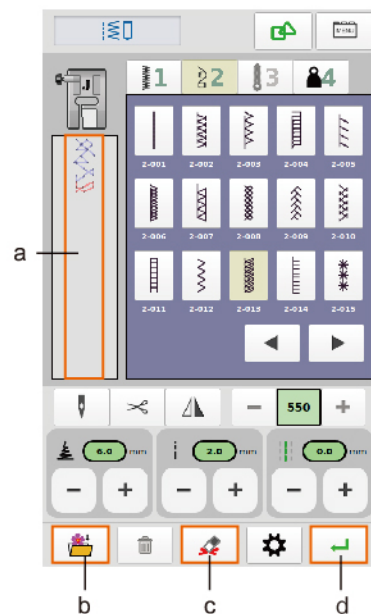
- ① 缝纫主界面，点击屏幕上方的组合键可对不同针迹进行组合操作。
The sewing main interface click the combination key at the top of the screen Different stitch can be combined operation

a. 组合键
Key combination



- ② “组合”状态下，用户可根据需要任意点击选择多种缝纫针迹进行组合使用。
In the “combination” state the user can be as necessary as needed Click choose a variety of sewing needle track for combination use

a. 几种针迹组合后的效果显示
The effects of several stitch combinations are shown



- ③ 组合针迹时，点击屏幕下方的擦除键可以擦除已选定的针迹图案，进行重新选择。
When combining the stitch click the erase key at the bottom of the screen You can erase the selected stitch pattern and redo it select

10

- ④ 针迹组合完成后，点击屏幕下方的存储键可以保存组合好的针迹。
After the stitch combination is completed click below the Screen The storage key holds the combined stitch

b. 存储键
Storage keys

c. 擦除键
Erase keys

d. 确认/启动
Confirm/Start

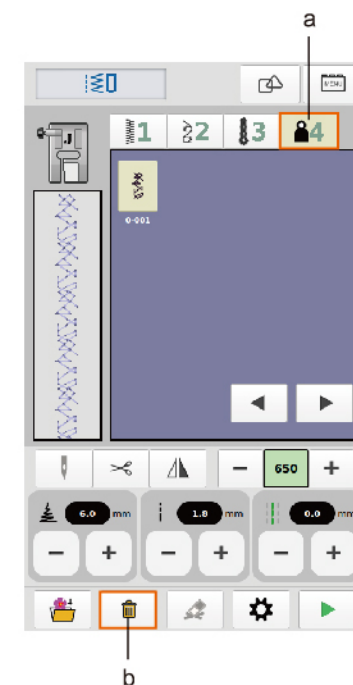
- ⑤ 保存好的针迹位置在针迹自定义类别4里面。
The location of the saved stitch is in the stitch custom category 4 inside

- ⑥ 自定义类别里面保存的针迹，用户可以根据需要进行删除操作，选择需要删除的针迹，点击屏幕下方的删除键即可删除。
The pin trace saved in the custom category, the user can root According to the need to delete operations select the needle that needs to be deleted Trace, click the delete button below the screen to delete

▲: 用户没有权限删除内置针迹
The user has no permission to delete the embedded stitch

a. 自定义针迹类别
Custom stitch category

b. 删除键
Delete key



11

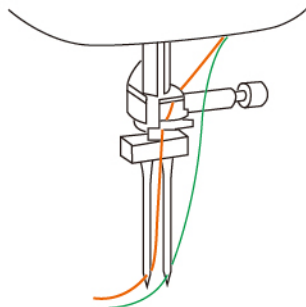
7. 双针缝制 Double needle sewing

※:用户在进行双针缝制时必须使用随机配备或者质量合格的机针，否则可能导致无法缝制。

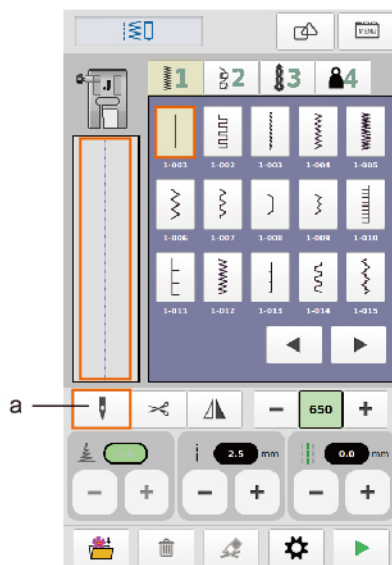
The user must use a randomised or qualified machine when making double stitching. The needle, otherwise, may result in unstitching.

- ① 正确安装好双针。
Install two needles correctly
- ② 手动将两根缝纫线分别穿入机针眼内。
Manually thread the two sewing threads into the eyelet

▲:双针不能使用快速穿线器进行穿线，否则会损坏穿线装置。
The double needle cannot be threaded through a fast thread, otherwise it will damage the threading device



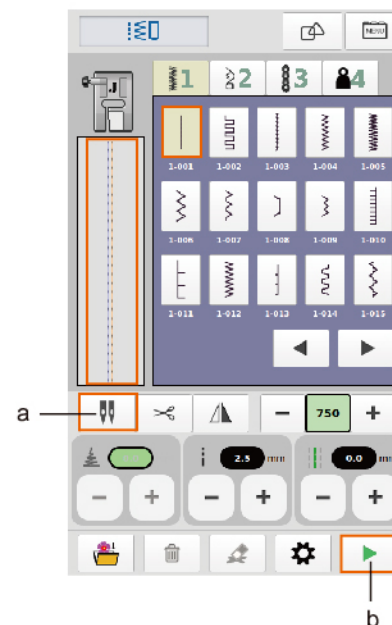
- ③ 选择好需要缝制的针迹，点击单、双针切换键。
Select the stitches that need to be sewn, click on the single/double needle switch key.



- a. 单、双针切换键
Single, double needle switch

- b. 启动
Start

*有69个针迹可以双针操作
There are 69 stitches that can be operated by double stitches



8. 缝制针迹 Sewing stitch

- ① 穿好面线、放置好底线，将需要缝制的布料正确放置到位并放下压脚。
Put the thread and the bottom line, and put the fabric in place and put down the foot
- ② 点击屏幕右下方的启动/停止键或者机器前盖上面的启动/停止键开始缝纫。
Click the start/stop button at the lower right of the screen or the start/stop button on the front of the machine to start sewing
- ③ 缝制结束后点击剪线键，机器自动剪断面线与底线。
Click the cut line after sewing, and the automatic section line and bottom line of machine
- ④ 确保机针在最高位时抬起压脚，取出布料完成缝纫操作。
Ensure that the needle is lifted at the highest position and the cloth is removed to complete the sewing operation

▲:用户在进行缝纫操作时必须正确使用相对应功能的压脚，否则可能导致无法缝制或断针造成人身伤害。
The user must correctly use the corresponding function to press the foot. No It may result in unstitching or breakage of the needle causing bodily injury.

五：绣花 Embroidery

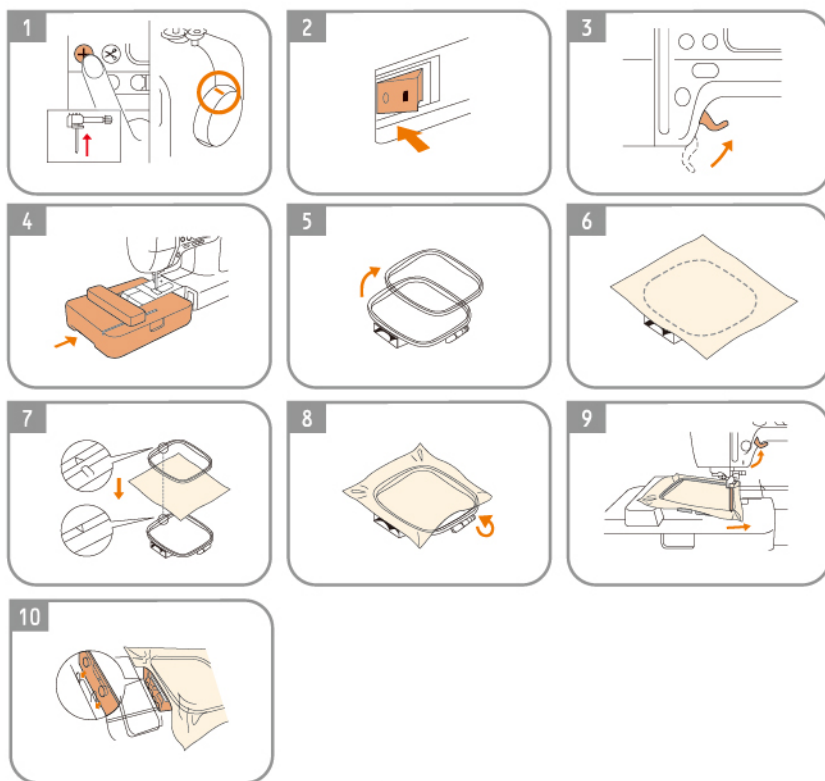
▲：用户进行绣花操作时必须使用绣花专用压脚，否则无法绣花。

The user must use the embroidery function presser foot, or can not embroider.

※：用户在绣花时应根据不同的绣花布料及绣花图案选择使用合适的绣花线，不同规格型号的绣花线绣出来的效果也不一样，建议用户使用质量合格的绣花线。

When embroidering, users should choose and use appropriate embroidery thread according to different fabrics and embroidery patterns. When using different specifications and models of embroidery thread, the embroidery effect is also different. Users are recommended to use qualified embroidery thread.

1、绣花准备 Embroidery preparation



2、绣花功能界面 Embroidery functional interface

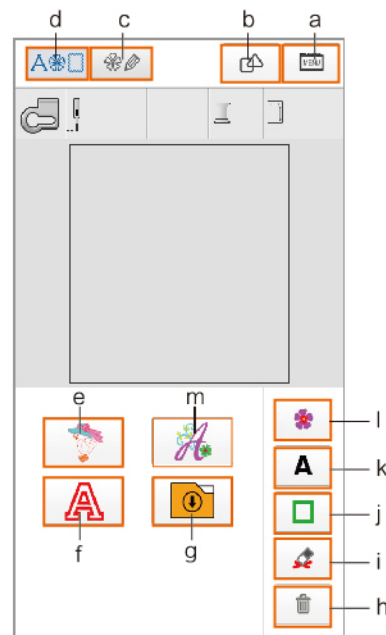


图1 Figure 1

- a . 设置键
- b . 组合键
- c . 花样编辑键
- d . 绣花功能图标
- e . 内置绣花花样
- f . 空心字母、数字
- g . 花样储存
- h . 删除键
- i . 擦除键
- j . 边框花样
- k . 字母、数字、符号
- l . 返回主界面
- m . 花式字母

- a . Setting Key
- b . Combination Key
- c . Pattern editing key
- d . Embroidery function icon
- e . Built-in embroidery pattern
- f . Hollow letters and numbers
- g . Pattern storage
- h . Delete key
- i . Erase key
- j . Border pattern
- k . Letters and symbols
- l . Return to main interface
- m . Fancy letters

3、选择绣花花样

Select embroidery pattern

- ① 开启电源进入绣花主界面。
Turn on the power and enter the main interface of embroidery
- ② 点击内置绣花花样键，进入花样选择界面，如图2。
Click the built-in embroidery pattern button to enter the pattern selection interface in Figure 2
- ③ 点击花样编辑键，进入图3界面
Click pattern editing key to the interface in Figure 3

内置花样键
built-in pattern key

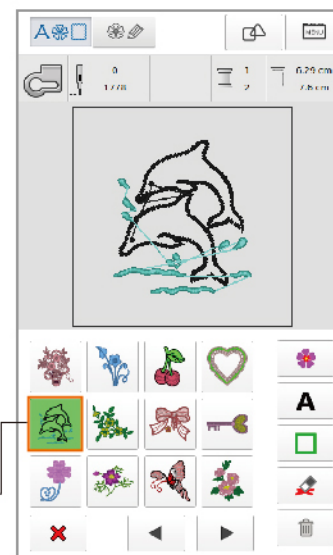
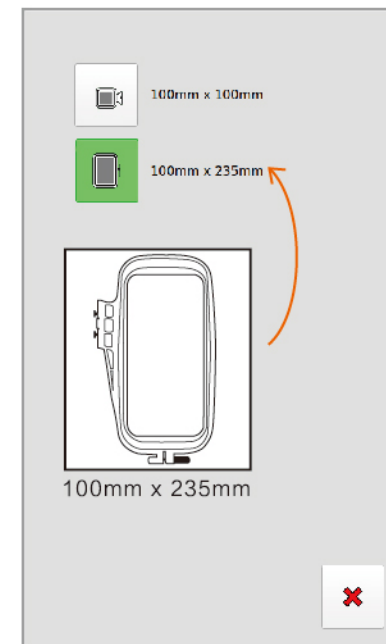
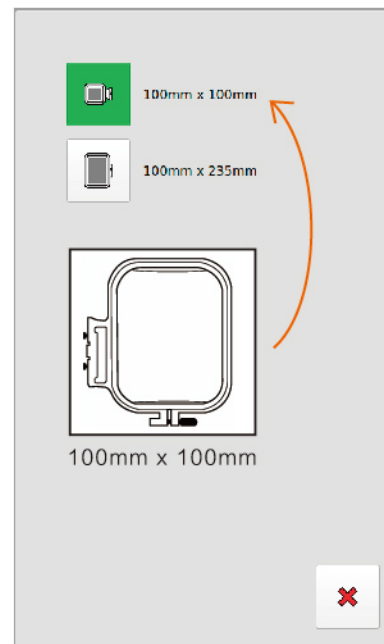
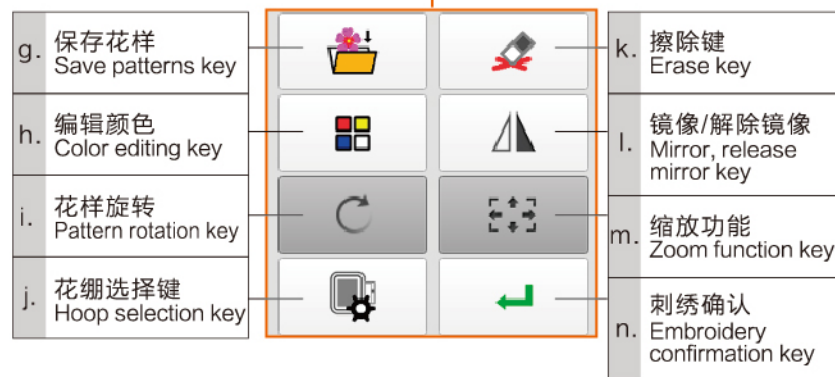
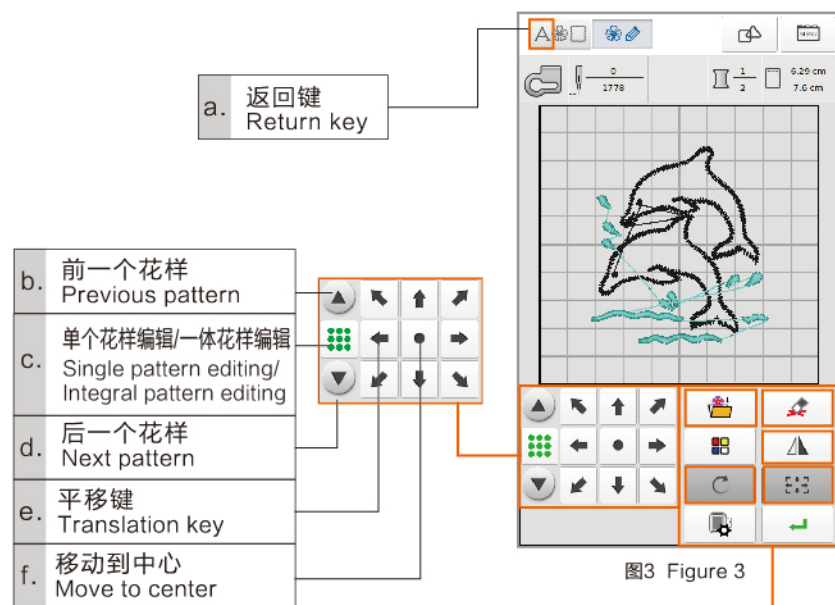


图2 Figure 2

- ④ 用户可根据需要对选择的花样进行平移、旋转、镜像、缩放及模拟编辑，然后选择适合花样尺寸的花绷，再安装选择好尺寸的花绷，如图a、图b

The user can translate, rotate, mirror, zoom and simulate editing pattern as needed. Then select the hoop with appropriate pattern size, and then install the selected one, as shown in Figure a, b



- ⑤ 刺绣确认，确认后进入图4界面

Embroidery confirmation key is to enter interface in Figure 4

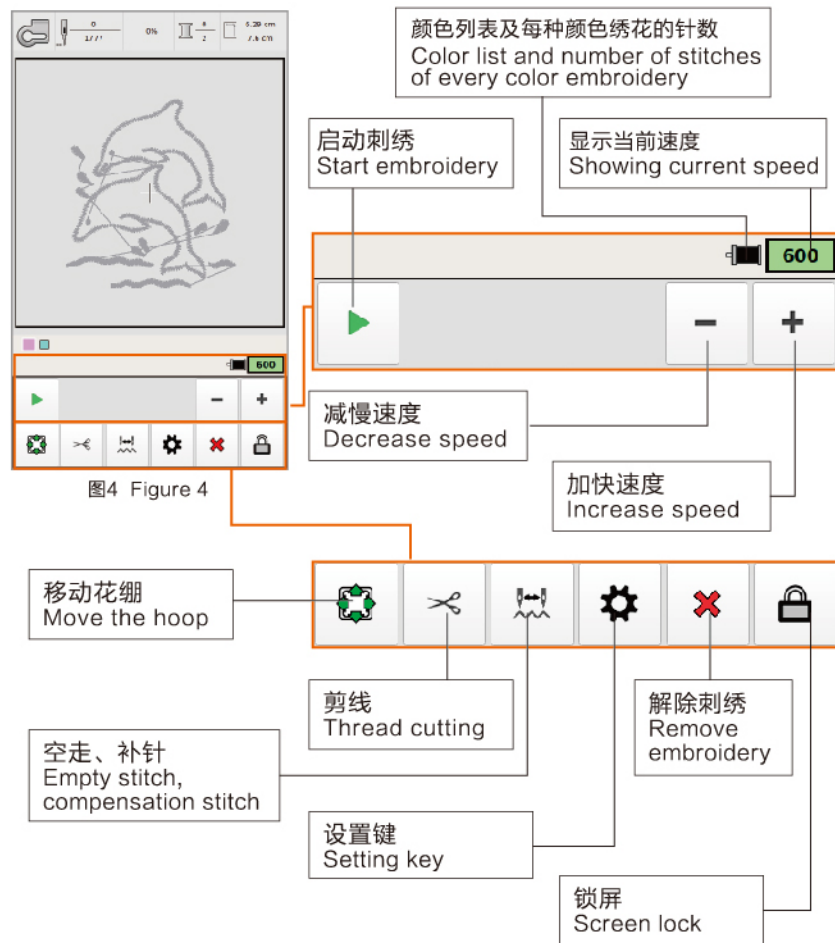
- ⑥ 全部编辑完成后，按屏幕上的启动键或者机器的开始/停止键，开始绣花

After all editing is completed, press the start key on the screen or the start/stop key of the machine to start embroidery.

*机器在刺绣多种颜色的花样时，每绣完一种颜色会自动停止，等待换线
When the machine embroiders patterns of various colors, it will automatically stop after finishing embroidery of one color and wait for thread change.

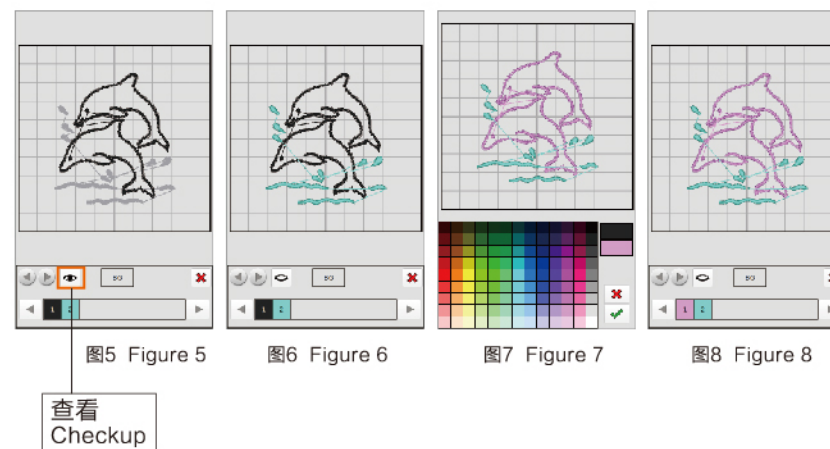
- ⑦ 刺绣完成后，拾起压脚取出花绷，完成刺绣操作

After embroidery, lift the presser foot and take out the hoop to finish the embroidery operation.



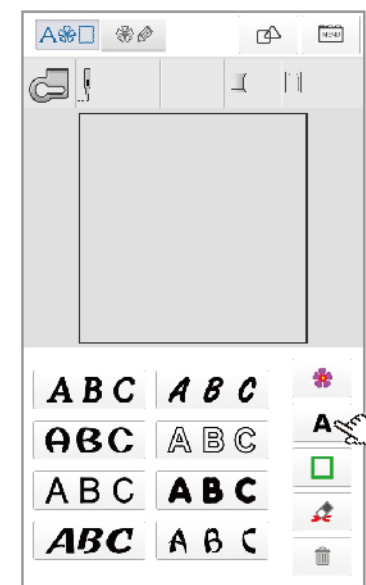
4.模拟配色 Simulating color matching

- ① 点击h编辑颜色，进入图5界面，点击查看键，进入图6界面
Click h indicating color editing to enter the interface in Figure 5, Click checkup key to enter the interface in Figure 6.
- ② 点击两次需要更换的颜色，进入图7界面并点击需要更换的颜色，按确认进入图8界面，然后点击返回键
Click twice the color to be changed to enter the interface in Figure 7, and click the needed color and press confirmation to enter the interface in Figure 8, then click the return key.



5.字母编辑 Letter editing

- ① 点击“A”进入字体选择界面图9
Click "A" to enter the font selection interface in Figure 9.
- ② 点击八种字体的其中一个，进入图10界面，输入字母、数字、符号等，按确认
Click one of the eight fonts to enter the interface in Figure 10, enter letters, numbers, symbols, etc., and press confirmation.
- ③ 确认后进入图---确认绣花
After confirmation, enter the interface in Figure 11, adjust the letter arrangement, arc arrangement, combination, rotation, mirror image and other editing. Select the hoop with appropriate size, then press the return key to confirm the embroidery.



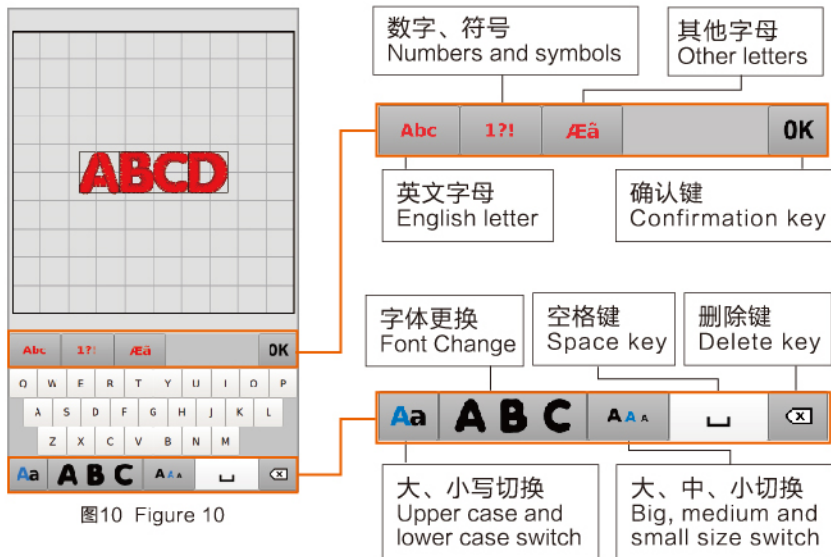


图10 Figure 10

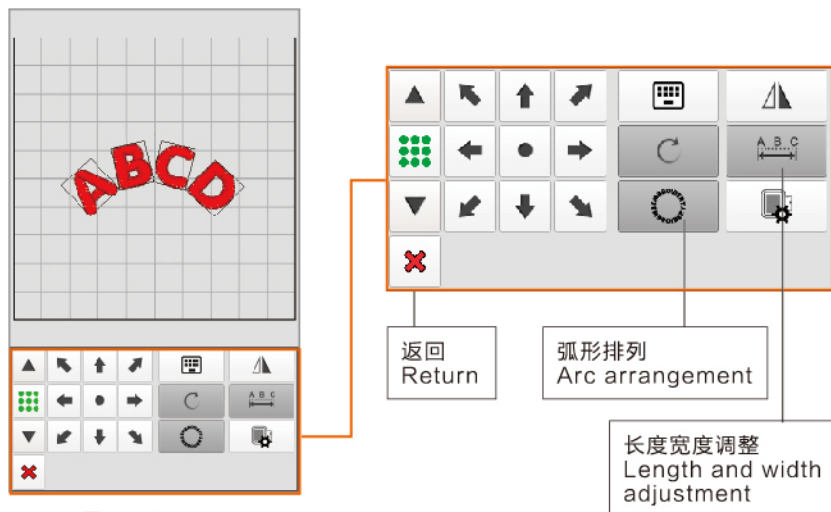


图11 Figure 11

六: USB输入 USB input

- * 本机支持输入DST、DSB格式的自定义花样
- * This machine supports the input of custom patterns in DST and DSB formats

- * 自定义花样文件的命名请使用字母或者1-9数字，花样储存在U盘的根目录
- * Name the custom patterns files in letters or numbers from 1-9. The patterns are stored in the root directory of the USB disk

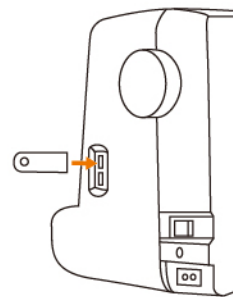


图12 Figure 12



图13 Figure 13

- ① 把本机支持的格式花样导入到U盘，然后将口盘插入机器USB接口，图12
Import the patterns in format supported by the machine into the USB disk, and then insert the USB disk into the USB interface of the machine in Figure 12.
- ② 点击a，进入图13界面，点击b，进入图14界面
Click a indicating to enter the interface in Figure 13. Click b indicating to enter the interface in Figure 14.
- ③ 选择一个或者多个花样，点击c，急速导入。
Select one or more patterns. Click c indicating to import them into the machine as a whole.
- ④ 选择一个花样，再点击d，点击编辑键，可以直接刺绣
Select a pattern, click d and then click the editing key to embroider.

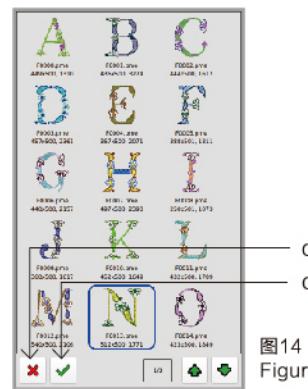


图14 Figure 14

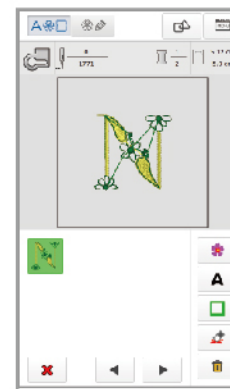


图15 Figure 15